



# UNIVERSAL/MULTIFLEX

**INTERNATIONAL**

## Factory Parts Catalog

<b>Product No.</b>	MRAD19V9QSE
<b>Series</b>	134A
<b>Color</b>	gray
<b>Volts</b>	220
<b>Wiring Diagram</b>	297392801
<b>Owner's Guide</b>	297409200
<b>Market</b>	Export

### **INTERNATIONAL**

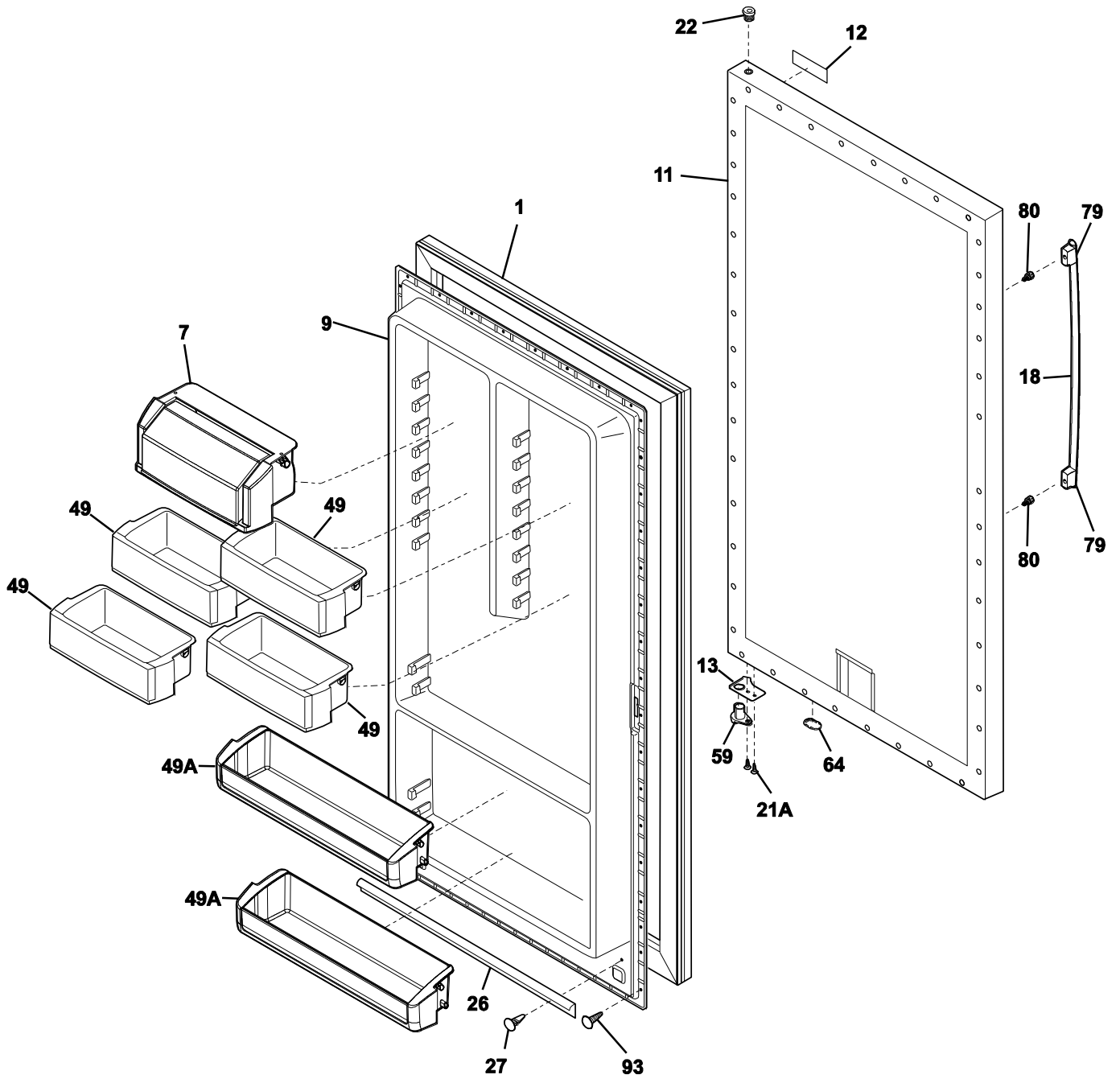
P.O. BOX 8020  
CHARLOTTE, NC 28262

Publication No.  
**5995708483**  
18/10/09  
(EN/SERVICE/)  
365

### **UPRIGHT FREEZER**

Model No.  
**MRAD19V9QS**

DOOR



P08D0677

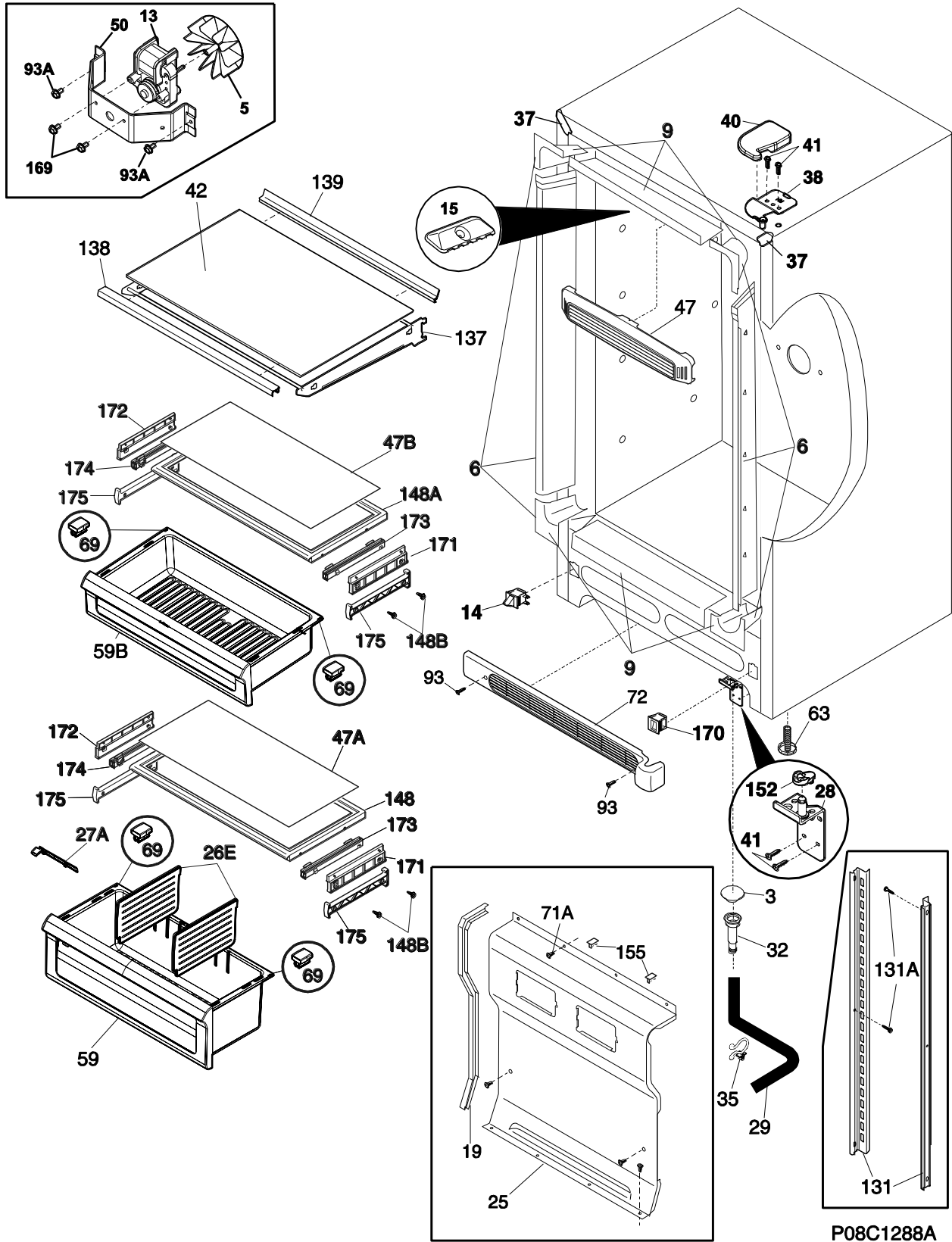
---

**DOOR**


---

POS. NO	PART NO.	DESCRIPTION
1	5304505782	Gasket
7	297326200	Dairy Bin, assembly
9	297280800	Panel-inner door, frzr
11	297353500	Panel-outer door, stainless
12	137095501	Anchor, nameplate
13	297302800	Door Stop, RH
18	297330300	Handle Assembly, stainless, w/endcaps
18*	241701901	Screw Driver
18*	297175300	Wrench, allen
*	240537301	Nut-anchor, door hdl screw
21A	297197500	Screw, door stop mtg, FH38-16X.750, P Twin
22	216970801	Bearing, hinge, gray, top
26	216524201	Gasket, secondary
27	5303212828	Clip, panel mtg
27*	5304406520	Clip, panel mtg kit, (40)
49	297295300	Bin-door, 2-liter
49A	297295401	Bin-door, gallon, w/trim
59	297302900	Bearing, door stop
64	216403701	Plug-button, hole filler, door base
79	218755401	Screw-set, 10-32 x 0.375
80	218755504	Screw, shoulder, #10-AB, handle mounting
93	216858001	Screw, 8-18x.50 AB, #10
*	297355300	Label, quick start
*	297048000	Screw, anchor, #8, white

CABINET



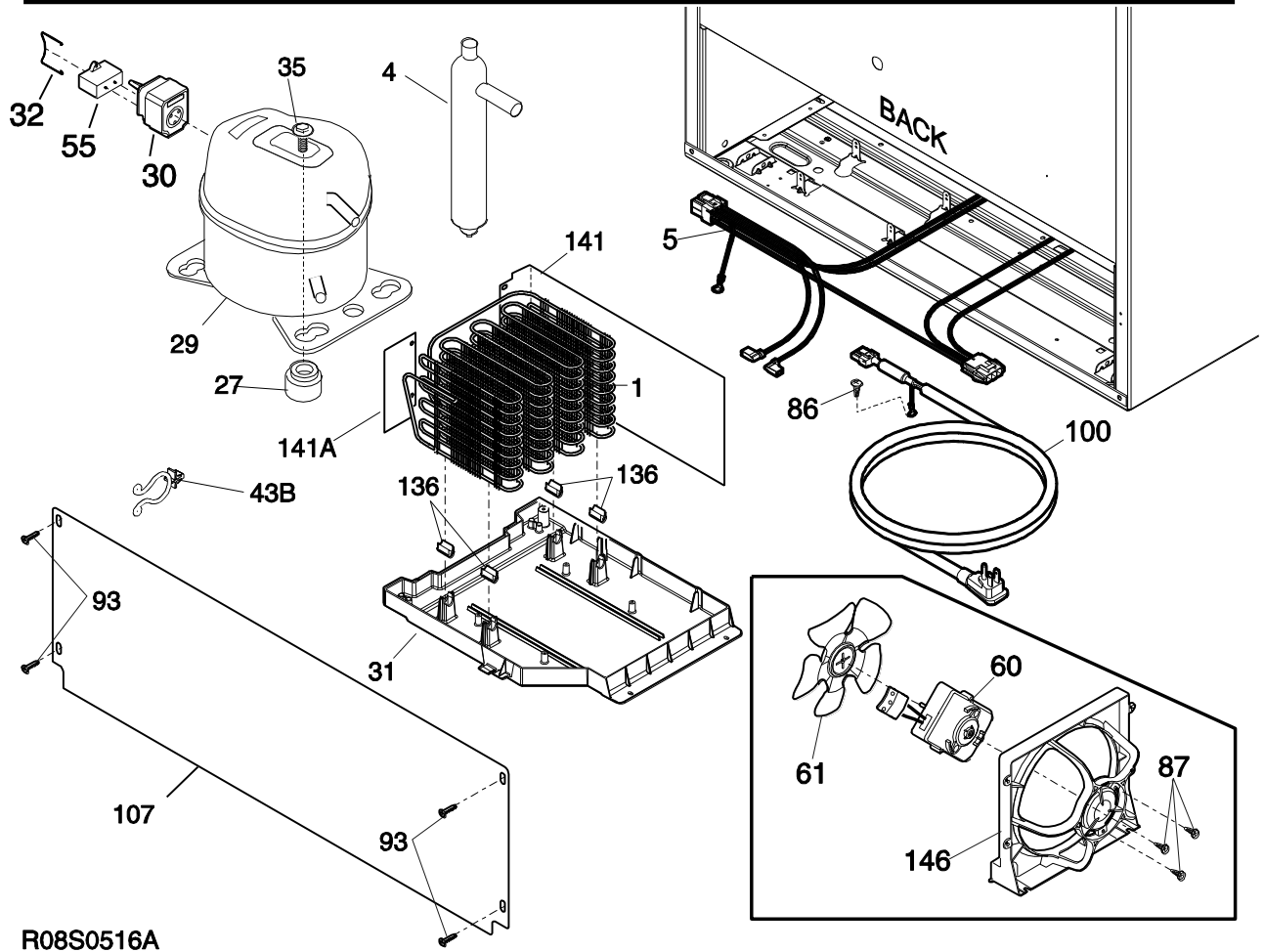
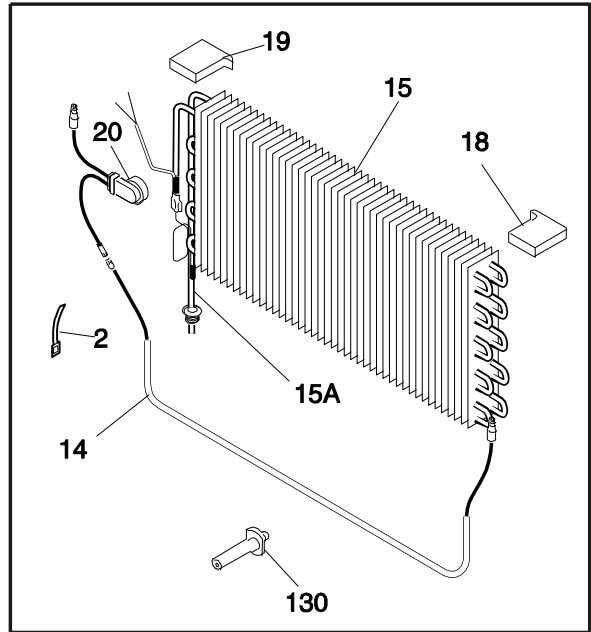
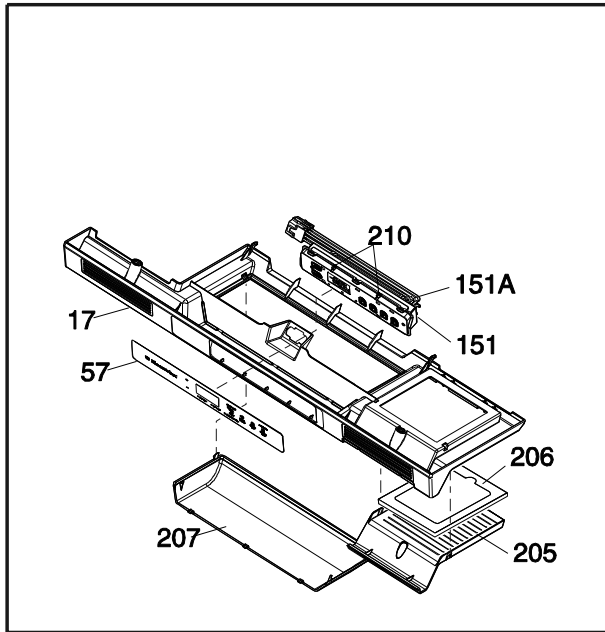
P08C1288A

## CABINET

---

POS. NO	PART NO.	DESCRIPTION
3	216503100	Screen-drain
5	5304513294	Fan, propeller
6	297200900	Breaker Kit w/corners
9	297200100	Breaker Kit w/corners, 32", top and bottom
13 #	297250010	Motor-fan, 230V
14	216822901	Switch, light/lamp, ramp
15 #	241891105	Light-LED
19	216204902	Gasket-evap cover
25	297099255	Cover-evaporator
26C	297295600	Panel, crisper front
26E	297099400	Divider-crisper
27A	297295800	Knob, humidity contrl
28	297302512	Hinge-lower
29 #	5304510353	Hose, drain, 17.8 inch
30	297215701	Breaker, corners
32	5308005500	Drain
35	216273000	Clip, wire retainer
37	297273906	Trim-cabinet corner, gray
38	297303900	Hinge-upper, RH
40	297304000	Cover-hinge, gray, RH
41	297236250	Screw, hex head, 1/4-20x5/8, hinge
42	297265900	Glass-shelf
47	297192903	Baffle, air
47A	297102705	Glass, crisper cover
47B	297102704	Glass, crisper cover
50	216394050	Bracket, fan motor mount
50A#	241891608	Board-LED power
59	5304512542	Bin, crisper, assy
59B	297292300	Drawer, deli-assy
63	216396900	Screw, leveling foot, plastic, adjustable
63*	297164650	Bracket, LH leg levelor
63*	297164651	Bracket, RH leg levelor
69	297297300	Bumper, crisper
71A	297146820	Screw, 8-18AB x.470 QX
72	297036907	Grille/Kickplate, 32", white
93	216858001	Screw, 8-18x.50 AB, #10
93A	297174300	Screw, self pierce, #8, 18x.63
131	297130200	Channel-shelf mtg, side, (2)
131A	297146821	Screw, th, 8-18x.470 AB QX, white, (6)
137	297050600	Frame-shelf, cantilever, (2)
138	297261400	Trim-shelf, front
139	297261500	Trim-shelf, rear
148	297271700	Frame-crisper cover
148A	297271701	Frame-crisper cover, lower
148B	297142600	Screw, blunt, 8-32 x 5/8
152	297302700	Bearing-hinge
155	5303313703	Clip, wire
169	216912401	Screw, hex washer head, 8-32 x 0.500, bracket fan mtr, (2)
170	297280403	Valve, breather
171	297092700	Bracket, crisper cover, RH
172	297092701	Bracket, crisper cover, LH
173	297291210	Slide, crisper, RH, w/clips
174	297291211	Slide, crisper, LH, w/clips
175	297099500	Support, crisper
*	297001704	Insulation, 24", suction line

SYSTEM



---

**SYSTEM**


---

POS. NO	PART NO.	DESCRIPTION
1 #	5300083897	Condenser
2	5308000110	Strap-evap/heater, aluminum, (2)
4 #	297396820	Filter-dryer
5 #	297325400	Harness-main
14 #	216730701	Heater-defrost
15 #	297414900	Evaporator
15A#	5304494381	Heat Exchanger
17	297269000	Box-control
18	297078701	Insulator-evap, styrofoam, RH
19	297078801	Insulator-evap, styrofoam, LH
20	216731001	Thermostat, defrost
27	297368501	Bolt, compressor
29 #	297056400	Compressor, 220-240V
30	297259525	Controller, compressor
31	297165800	Pan-drain
32	216649200	Clip, controller
34	5304511843	Sleeve
35	297368500	Bolt, compressor
43B	297315800	Clip, wire
50A#	241891608	Board-LED power
55	216985004	Capacitor, run, 5MF
57	297269404	Overlay
60 #	297279550	Motor-condenser fan
61	241639501	Blade-condenser fan
86	216036601	Screw, RWHD, 8-32A x 0.500, GX-CA
87	5304463290	Screw, hi-lo blunt, #8-18X1/2
93	216858001	Screw, 8-18x.50 AB, #10
100#	297075901	Cord-power, 220V
107	297194802	Panel, access
130	297244700	Support, evaporator mtg
136	240405201	Grommet, rubber, black, cond tube/wire
141	297164202	Divider, air flow
141A	297194700	Divider, small, air flow
146	297164000	Shroud-fan orifice
146*	216337701	Screw, HWH, 10-24 x 0.500, Swage
151#	297326506	Electronic Control, assembly
151A	5304495183	Harness-jumper
205	297294301	Holder, air filter
206	242047801	Filter, air
207	297294501	Shield-light, white
208	297355201	Guard-wire
210	216905301	Screw, PH 3-24X.25, electronic assy
*	297110400	Thermistor
*	216737600	Tape, foil
*	240555002	Screw-#8-32 X 3/8
*	297174300	Screw, self pierce, #8, 18x.63